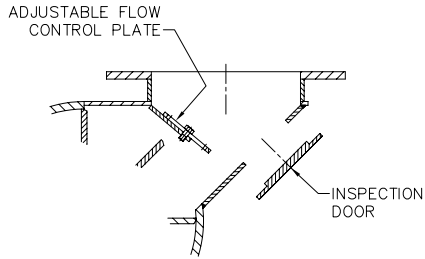
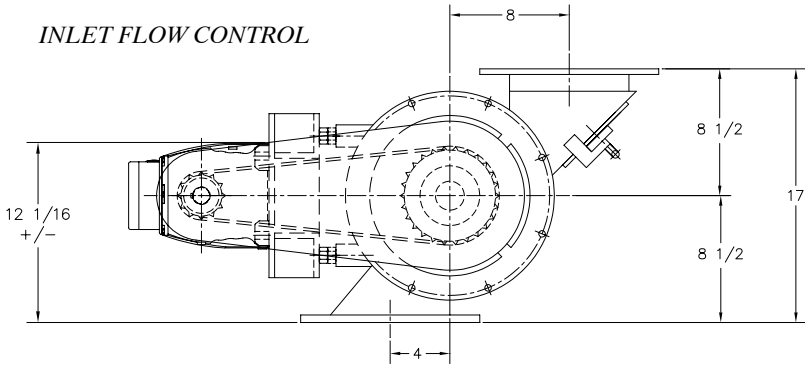


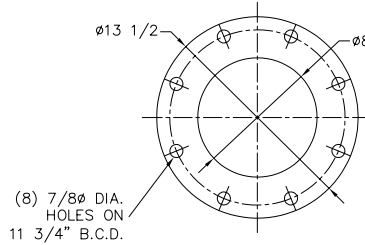
PLAN VIEW



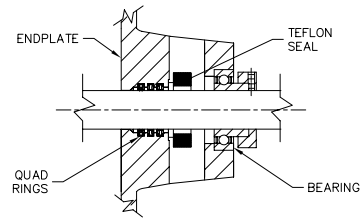
INLET FLOW CONTROL



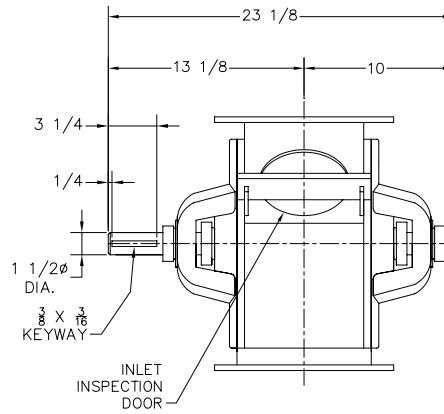
ELEVATION



OPTIONAL ROUND FLANGE DETAILS



ACST-4 SEAL DETAIL



ELEVATION

VALVE INFORMATION					
HOUSING	ENDPLATE	ROTOR		BLADE TIP	
MAT'L	MAT'L	MAT'L	TYPE	MAT'L	CLEARANCE
C.I.	C.I.	MILD STEEL	FIXED EDGE	MILD STEEL	.004-.007

MOTOR					
MFG.	H.P.	VOLTAGE	ENCLOSURE	CL. & DIV.	FRAME SIZE
SEW EURODRIVE R-SERIES	3/4	T.B.A.	TEFC	STD. EFF.	DT80N4
RPM					
1800					

REDUCER				
MFG.	FRAME	RATIO	SIZE	R.P.M.
SEW EURODRIVE R-SERIES	R37	36.72	R37DT80N4	46

CHAIN DRIVE			VALVE OPERATING CONDITIONS		
SIZE	BORE	SIZE	BORE	TEMP.	SEALS
60B12	1Ø	60B26	1 1/2Ø	AMBIENT	ACST-4

CONVEYING INFORMATION	
PRODUCT HANDLED	TO BE ADVISED
PRODUCT DENSITY	TO BE ADVISED
DISPLACEMENT / REV. 100%	.44 C.F.R.
VALVE SPEED	20 RPM
CONVEY RATE	TO BE ADVISED

NOTES

- ALL DIMENSIONS IN INCHES
- CONSTRUCTION: FABRICATED MILD STEEL HOUSING WITH CAST GREY IRON ENDPLATES. FABRICATED CARBON STEEL ROTOR, OPEN END 8-VANE FIXED WITH RELIEVED TIPS (1/8" LAND) CLOSE TOLERANCE. C.C.W. ROTATION LOOKING AT THE DRIVE END.
- BOTTOM FLANGE BOLT PATTERN MATCHES TOP FLANGE PATTERN
- PAINT: STANDARD METAL PREPARATION, EXTERIOR PRIMED AND ONE COAT FINISH ENAMEL - ACS BLUE. DRIVE GUARD IS HI-VISIBILITY SAFETY YELLOW. MOTOR/GEARMOTOR IS MANUFACTURES STANDARD FINISH
- ACST-4 SHAFT SEAL ASSEMBLY (SEE DETAIL)
- WEIGHT WITH DRIVE PACKAGE 425 LBS.
- INCLUDED OPTIONS:
 - ENDPLATES: CAST IRON CONSTRUCTION
 - ROTOR: FABRICATED OPEN END MILD STEEL
 - ROTOR: FIXED EDGE MILD STEEL ROTOR TIPS - BEVELED
 - HOUSING: FABRICATED MILD STEEL CONSTRUCTION
 - HOUSING: INLET INSPECTION DOOR (SEE DETAIL)
 - HOUSING: ADJUSTABLE FLOW CONTROL PLATE
 - HOUSING: ROUND OR SQUARE INLETS AVAILABLE



611 ARGYLE STEET NORTH
 CALEDONIA ONT. N3W-1M1
 PHONE: 905-765-2004
 FAX: 905-765-4491
 sales@ancasterconveying.com
 www.ancasterconveying.com

TITLE: ACS MODEL S-8" PELLET FEEDER, GENERAL ARRANGEMENT
 FOR: GENERAL USE ONLY
 P.O: N/A

SCALE: N.T.S.	DRAWN BY: G.T	B-2364	
DATE: MAY/20/09	CHECKED:		
ISSUE	DATE	REVISION	BY

Proprietary Information
 This drawing is the confidential property of Ancaster Conveying Systems Ltd. and transmitted in confidence. The reproduction, use or disclosure, in whole or in part, of the design or details contained herein is prohibited without the express written permission of Ancaster Conveying Systems Inc.