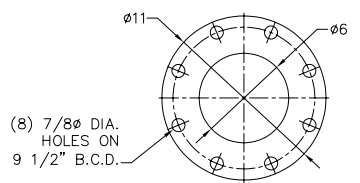
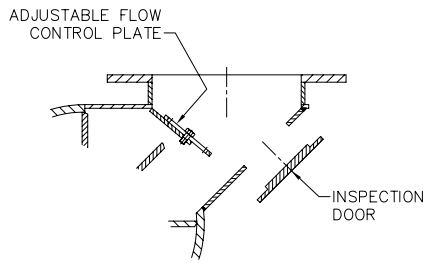


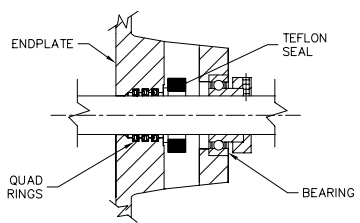
PLAN VIEW



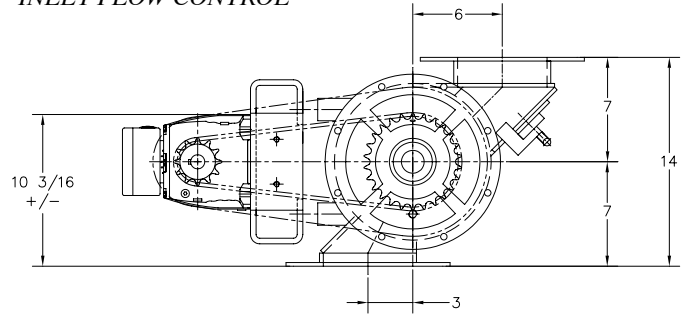
OPTIONAL ROUND FLANGE DETAILS



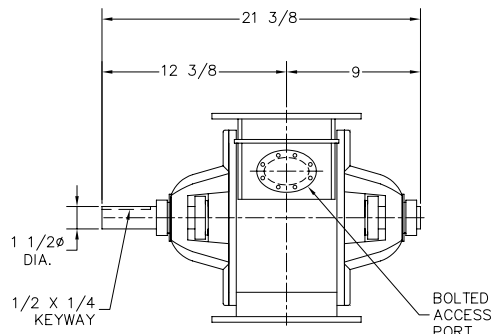
INLET FLOW CONTROL



ACST-4 SEAL DETAIL



ELEVATION



ELEVATION

| VALVE INFORMATION |          |            |            |            |           |
|-------------------|----------|------------|------------|------------|-----------|
| HOUSING           | ENDPLATE | ROTOR      | BLADE TIP  |            |           |
| MAT'L             | MAT'L    | MAT'L      | TYPE       | MAT'L      | CLEARANCE |
| C.I.              | C.I.     | MILD STEEL | FIXED EDGE | MILD STEEL | .004-.007 |

| MOTOR                  |      |         |           |            |            |      |
|------------------------|------|---------|-----------|------------|------------|------|
| MFG.                   | H.P. | VOLTAGE | ENCLOSURE | CL. & DIV. | FRAME SIZE | RPM  |
| SEW EURODRIVE R-SERIES | 3/4  | T.B.A.  | TEFC      | STD. EFF.  | DT80N4     | 1800 |

| REDUCER                |       |       |           |        |
|------------------------|-------|-------|-----------|--------|
| MFG.                   | FRAME | RATIO | SIZE      | R.P.M. |
| SEW EURODRIVE R-SERIES | R37   | 36.72 | R37DT80N4 | 46     |

| CHAIN DRIVE |      | VALVE OPERATING CONDITIONS |        |         |
|-------------|------|----------------------------|--------|---------|
| SIZE        | BORE | SIZE                       | TEMP.  | SEALS   |
| 60B12       | 1Ø   | 60B26                      | 1 1/2Ø | AMBIENT |
|             |      |                            |        | ACST-4  |

| CONVEYING INFORMATION    |               |
|--------------------------|---------------|
| PRODUCT HANDLED          | TO BE ADVISED |
| PRODUCT DENSITY          | TO BE ADVISED |
| DISPLACEMENT / REV. 100% | .237 C.F.R.   |
| VALVE SPEED              | 20 RPM        |
| CONVEY RATE              | TO BE ADVISED |

NOTES

- ALL DIMENSIONS IN INCHES
- CONSTRUCTION: FABRICATED MILD STEEL HOUSING WITH CAST GREY IRON ENDPLATES. FABRICATED CARBON STEEL ROTOR, OPEN END 8-VANE FIXED WITH RELIEVED TIPS (1/8" LAND) CLOSE TOLERANCE. C.C.W. ROTATION LOOKING AT THE DRIVE END.
- BOTTOM FLANGE BOLT PATTERN MATCHES TOP FLANGE PATTERN
- PAINT: STANDARD METAL PREPARATION, EXTERIOR PRIMED AND ONE COAT FINISH ENAMEL - ACS BLUE. DRIVE GUARD IS HI-VISIBILITY SAFETY YELLOW. MOTOR/GEARMOTOR IS MANUFACTURES STANDARD FINISH
- ACST-4 SHAFT SEAL ASSEMBLY (SEE DETAIL)
- WEIGHT WITH DRIVE PACKAGE 400 LBS.
- INCLUDED OPTIONS:
  - ENDPLATES: CAST IRON CONSTRUCTION
  - ROTOR: FABRICATED OPEN END MILD STEEL
  - ROTOR: FIXED EDGE MILD STEEL ROTOR TIPS - BEVELED
  - HOUSING: FABRICATED MILD STEEL CONSTRUCTION
  - HOUSING: INLET INSPECTION DOOR (SEE DETAIL)
  - HOUSING: ADJUSTABLE FLOW CONTROL PLATE
  - HOUSING: ROUND OR SQUARE INLETS AVAILABLE

|                     |  |
|---------------------|--|
| <h1>ACS VALVES</h1> | 611 ARGYLE STEET NORTH<br>CALEDONIA ONT. N3W-1M1   |
|                     | PHONE: 905-765-2004<br>FAX: 905-765-4491<br>sales@ancasterconveying.com<br>www.ancasterconveying.com |

TITLE: ACS MODEL S-6" PELLET FEEDER, GENERAL ARRANGEMENT  
FOR: GENERAL USE ONLY  
P.O: N/A

|               |                 |        |
|---------------|-----------------|--------|
| SCALE: N.T.S. | DRAWN BY: G.T   | B-2229 |
| ISSUE         | CHECKED:        |        |
| DATE          | DATE: MAY/20/09 |        |
| REVISION      | BY              |        |

Proprietary Information  
This drawing is the confidential property of Ancaster Conveying Systems Ltd. and transmitted in confidence. The reproduction, use or disclosure, in whole or in part, of the design or details contained herein is prohibited without the express written permission of Ancaster Conveying Systems Inc.